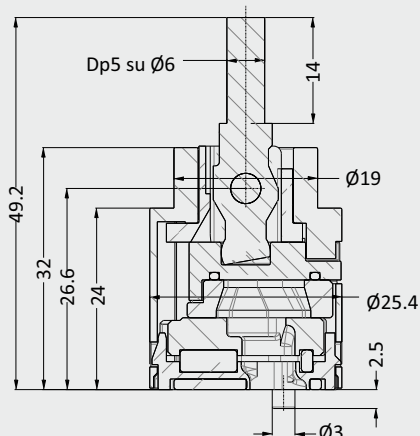
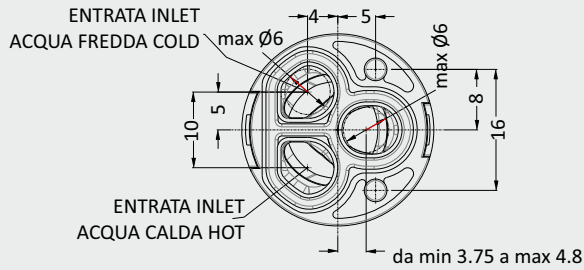




Ø25

ART.
KR25BSRA
CARTUCCIA Ø25
CARTRIDGE Ø25

- LEVA - LEVER Ø6 Dp5
- MATERIALE DISCHI - DISC MATERIAL (Al_2O_3)
- TEST DURATA - LONG TERM TESTS
- UNI EN 817 (70.000 CICLI - LIFECYCLE)
- ASME (500.000 CICLI - LIFECYCLE)
- COPPIA SERRAGGIO - TIGHTENING TORQUE (10Nm)
- PRESSIONE MAX PRESSURE AIR (10BAR)
- PRESSIONE MAX PRESSURE WATER (50BAR)
- ROTAZIONE LEVA - LEVER ROTATION (100°)
- PORTATA - FLOW RATE (20 l/min - 3 BAR)





KERAMITCAL SRL



ISO 9001
BUREAU VERITAS
Certification



C US
LLC - Low Lead
Content
(NSF-ANSI 61)

WRAS
Water Regulations Advisory Service

TZW
Technologiezentrum
Wasser
on ref. at
DVGW

Ø25

ART.
KR25BSRA
CARTUCCIA Ø25,
CARTRIDGE Ø25,

