

Ø25

APERTA - OPEN

ART.

KR25BSARA

CARTUCCIA Ø25 - APERTA
CARTRIDGE Ø25 - OPEN

LEVA - LEVER Ø6 DP5

MATERIALE DISCHI - DISC MATERIAL (AL₂O₃)

TEST DURATA - LONG TERM TESTS

UNI EN 817 (70.000 CICLI - LIFECYCLE)

ASME (500.000 CICLI - LIFECYCLE)

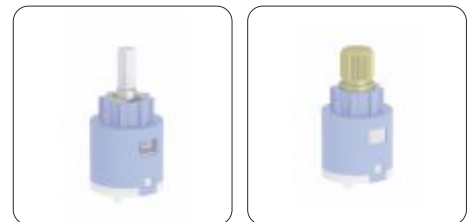
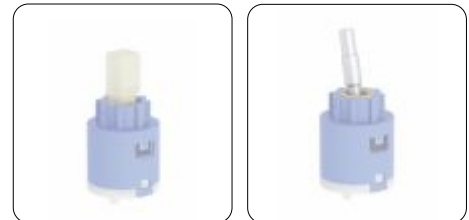
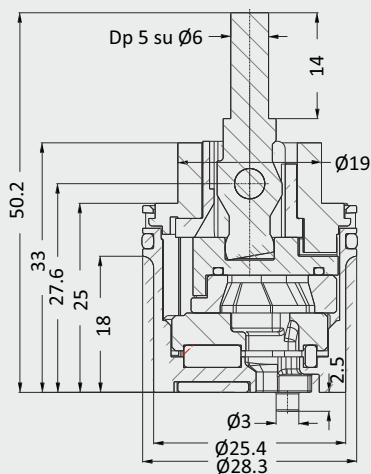
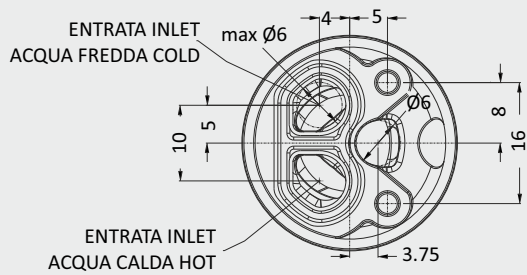
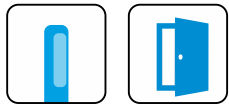
COPPIA SERRAGGIO - TORQUE (10Nm)

PRESSIONE MAX PRESSURE AIR (10BAR)

PRESSIONE MAX PRESSURE WATER (50BAR)

ROTAZIONE LEVA - LEVER ROTATION (100°)

PORTATA - FLOW RATE (20 l/min - 3 BAR)





KERANICAL SRL



ISO 9001
BUREAU VERITAS
Certification



C US
LLC - Low Lead
Content
(NSF-ANSI 61)

WRAS
Water Regulations Advisory Service

TZW
Technologiezentrum
Wasser
on ref. at
DVGW

Ø25

APERTA - OPEN

ART.

KR25BSARA

CARTUCCIA Ø25

CARTRIDGE Ø25

