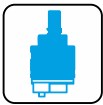


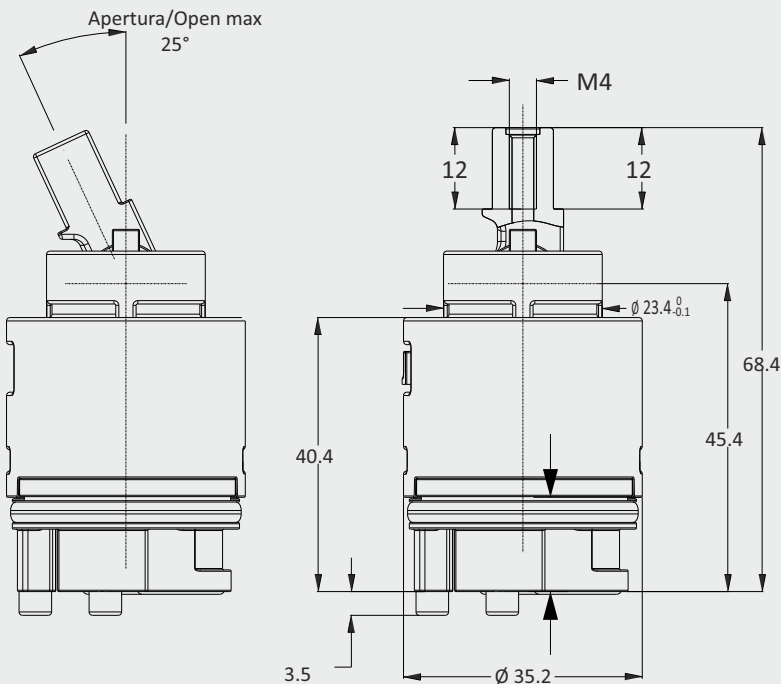


Ø35

ART.
KR35ASRS
CARTUCCIA Ø35
CARTRIDGE Ø35



MATERIALE DISCHI - DISC MATERIAL (Al_2O_3)
 TEST DURATA - LONG TERM TESTS
 UNI EN 817 (70.000 CICLI - LIFECYCLE)
 ASME (500.000 CICLI - LIFECYCLE)
 COPPIA SERRAGGIO - TORQUE (10Nm)
 PRESSIONE MAX PRESSURE AIR (10BAR)
 PRESSIONE MAX PRESSURE WATER (50BAR)
 ROTAZIONE LEVA - LEVER ROTATION (100°)
 PORTATA - FLOWRATE (30 l/min - 3 BAR)
 FONDO RUOTATO (SX) - ROTATED GROUND (L)





KERAMITAL SRL



ISO 9001
BUREAU VERITAS
Certification



C US
LLC-LowLead
Content
(NSF-ANSI61)

WRAS
Water Regulations Advisory Service



Ø35

ART.
KR35ASRS
CARTUCCIA Ø35
CARTRIDGE Ø35

