



# Ø35

ART.

## KR35ASJ1

**CARTUCCIA Ø35 JOYSTICK**  
**CARTRIDGE Ø35 JOYSTICK**

LEVA - LEVER Ø6 - DP5

MATERIALE DISCHI - DISC MATERIAL (AL<sub>2</sub>O<sub>3</sub>)

TEST DURATA - LONG TERM TESTS

UNI EN 817 (70.000 CICLI - LIFECYCLE)

ASME (500.000 CICLI - LIFECYCLE)

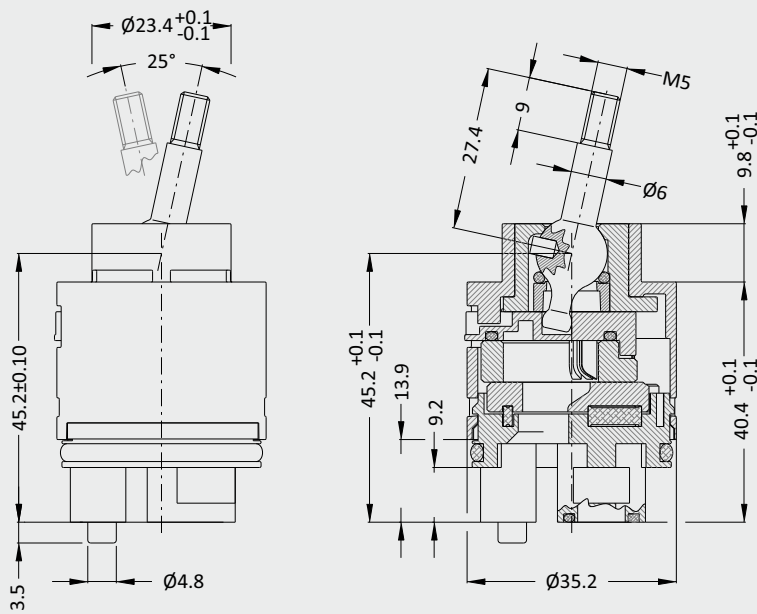
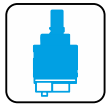
COPPIA SERRAGGIO - TORQUE (10Nm)

PRESSIONE MAX PRESSURE AIR (10BAR)

PRESSIONE MAX PRESSURE WATER (50BAR)

ROTAZIONE LEVA - LEVER ROTATION (100°)

PORTATA - FLOWRATE (30 l/min - 3 BAR)





**KERANICAL** SRL



ISO 9001  
BUREAU VERITAS  
Certification



US  
LLC - Low Lead  
Content  
(NSF-ANSI61)



Water Regulations Advisory Service



Technologiezentrum  
Wasser  
on ref. at  
DVGW

# Ø35

ART.  
**KR35ASJ1**  
CARTUCCIA Ø35  
CARTRIDGE Ø35

