



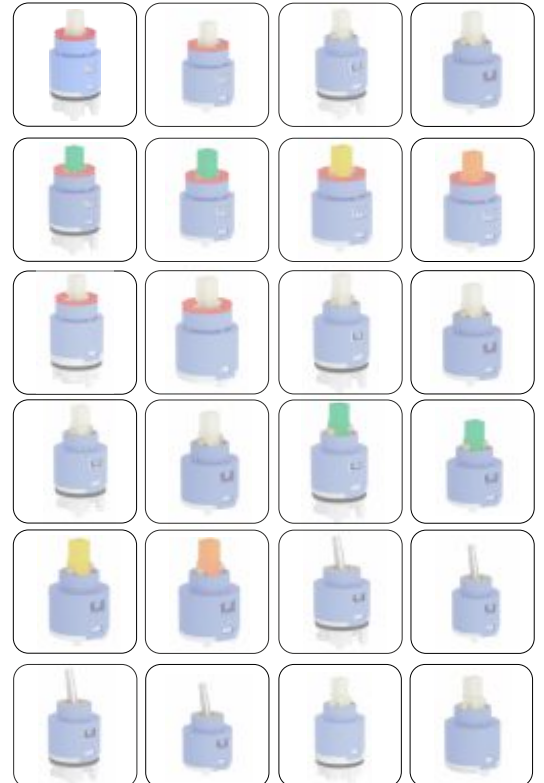
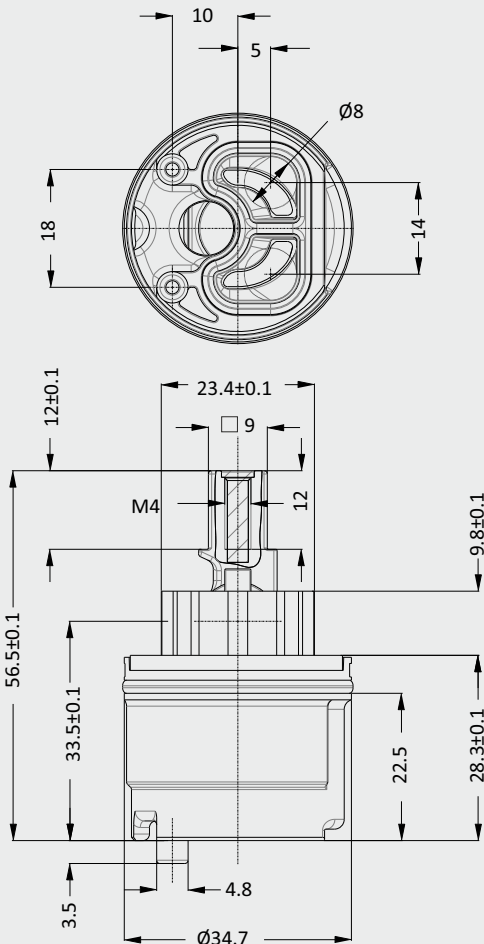
# Ø35

ART.

## KR35BSA

**CARTUCCIA Ø35 APERTA**  
**CARTRIDGE Ø35 OPEN**

MATERIALE DISCHI - DISC MATERIAL ( $AL_2O_3$ )  
TEST DURATA - LONG TERM TESTS  
UNI EN 817 (70.000 CICLI - LIFECYCLE)  
ASME (500.000 CICLI - LIFECYCLE)  
COPPIA SERRAGGIO - TORQUE (10Nm)  
PRESSIONE MAX PRESSURE AIR (10BAR)  
PRESSIONE MAX PRESSURE WATER (50BAR)  
ROTAZIONE LEVA - LEVER ROTATION (100°)  
PORTATA - FLOWRATE (30 l/min - 3 BAR)  
TIPO APERTA - TYPE OPEN





**KERANICAL** SRL



ISO 9001  
BUREAU VERITAS  
Certification



C US  
LLC - Low Lead  
Content  
(NSF-ANSI 61)



**Ø35**

ART.  
**KR35BSA**  
CARTUCCIA Ø35  
CARTRIDGE Ø35

