

# Ø25

## APERTA - OPEN

ART.

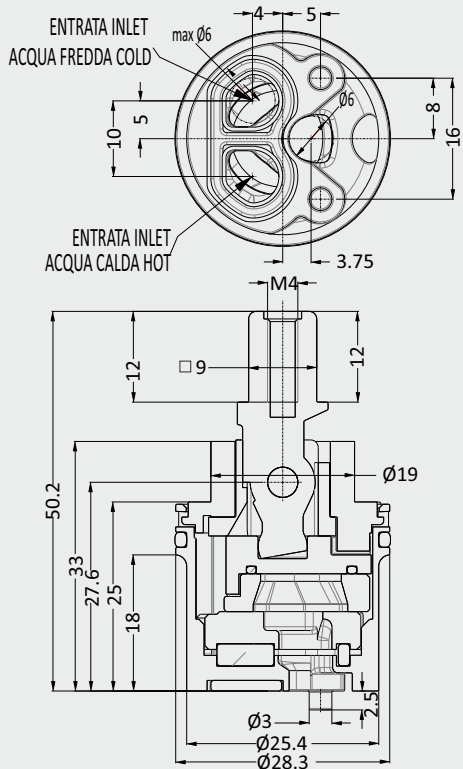
### KR25BSA

**CARTUCCIA Ø25 - APERTA**  
**CARTRIDGE Ø25 - OPEN**

MATERIALE DISCHI - DISC MATERIAL ( $Al_2O_3$ )  
TEST DURATA - LONG TERM TESTS  
UNI EN 817 (70.000 CICLI - LIFECYCLE)  
ASME (500.000 CICLI - LIFECYCLE)  
COPPIA SERRAGGIO - TORQUE (10Nm)  
PRESSIONE MAX PRESSURE AIR (10BAR)  
PRESSIONE MAX PRESSURE WATER (50BAR)  
ROTAZIONE LEVA - LEVER ROTATION (100°)  
PORTATA - FLOW RATE (15 l/min - 3 BAR)



9x9





**KERANICAL** SRL



ISO 9001  
BUREAU VERITAS  
Certification



US  
LLC - Low Lead  
Content  
(NSF-ANSI 61)

**WRAS**  
Water Regulations Advisory Service

**TZW**  
Technologiezentrum  
Wasser  
on ref. at  
DVGW

**Ø25**

**APERTA - OPEN**

ART.

**KR25BSA**

**CARTUCCIA Ø25, APERTA  
CARTRIDGE Ø25, OPEN**

