



Ø35

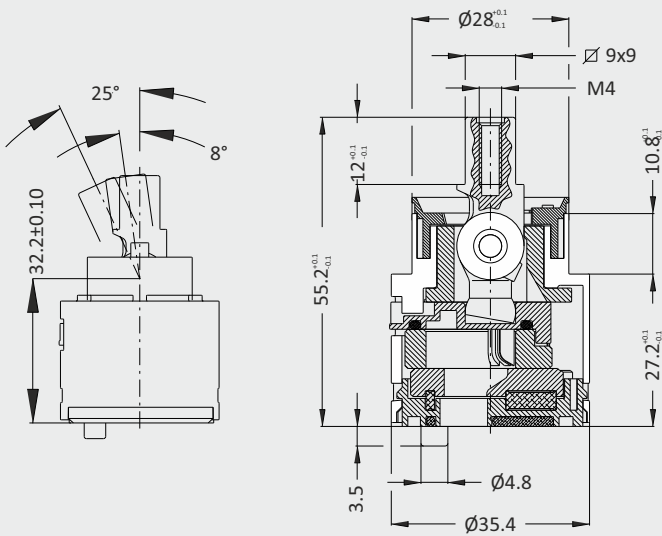
ART.

KR35BK

CARTUCCIA Ø35
CARTRIDGE Ø35



MATERIALE DISCHI - DISC MATERIAL (Al_2O_3)
 TEST DURATA - LONG TERM TESTS
 UNI EN 817 (70.000 CICLI - LIFECYCLE)
 ASME (500.000 CICLI - LIFECYCLE)
 COPPIA SERRAGGIO - TORQUE (10Nm)
 PRESSIONE MAX PRESSURE AIR (10BAR)
 PRESSIONE MAX PRESSURE WATER (50BAR)
 ROTAZIONE LEVA - LEVER ROTATION (100°)
 PORTATA - FLOWRATE (30 l/min - 3 BAR)
 ECOBLOCK STEP (12/30l/min)
 DISPOSITIVO LIMITAZIONE TEMPERATURA
 HOT WATER LIMITER





KERANICAL SRL



ISO 9001
BUREAU VERITAS
Certification



US
LLC - Low Lead
Content
(NSF-ANSI61)

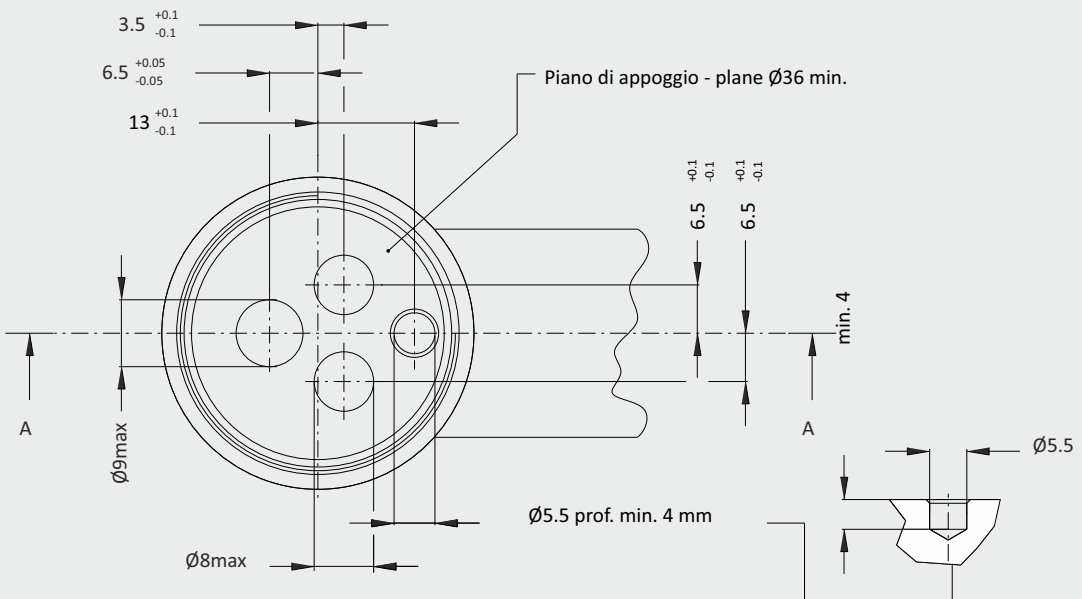
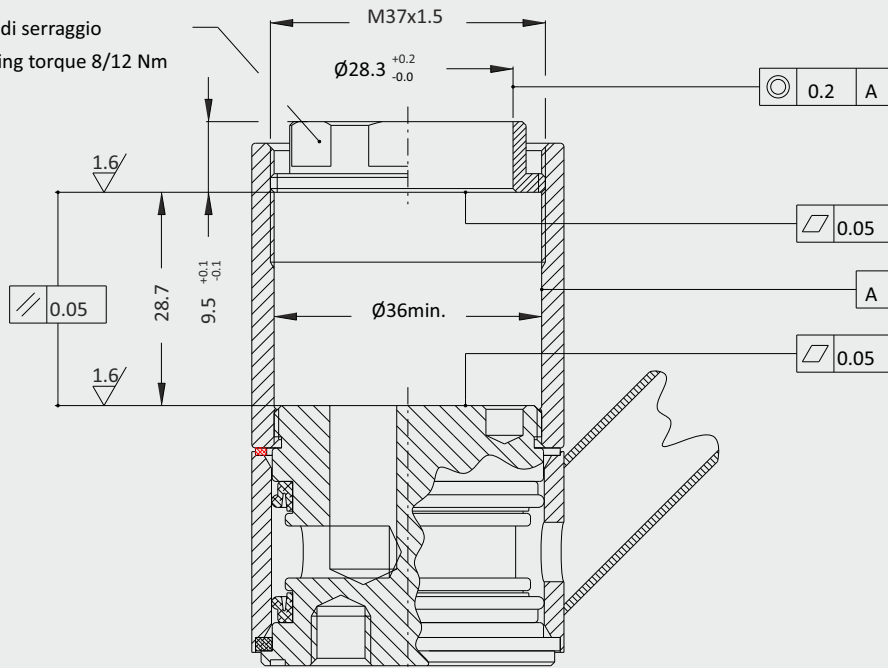
WRAS
Water Regulations Advisory Service

TZW
Technologiezentrum
Wasser
on ref. at
DVGW

Ø35

ART.
KR35BK
CARTUCCIA Ø35
CARTRIDGE Ø35

Coppia di serraggio
tightening torque 8/12 Nm



SCHEDA LAVORAZIONI-TECHNICAL DATA