

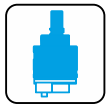


# Ø35

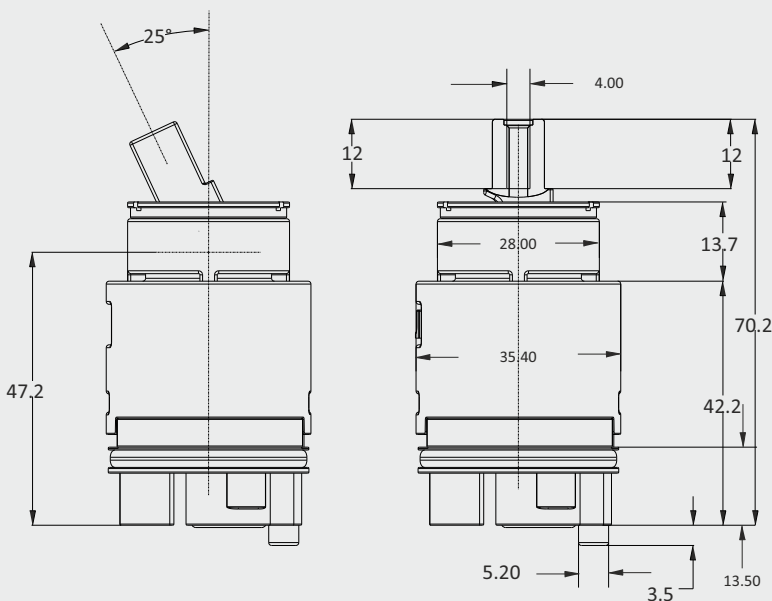
ART.

## KR36A

**CARTUCCIA Ø35**  
**CARTRIDGE Ø35**



MATERIALE DISCHI - DISC MATERIAL ( $Al_2O_3$ )  
TEST DURATA - LONG TERM TESTS  
UNI EN 817 (70.000 CICLI - LIFECYCLE)  
ASME (500.000 CICLI - LIFECYCLE)  
COPPIA SERRAGGIO - TORQUE (10Nm)  
PRESSIONE MAX PRESSURE AIR (10BAR)  
PRESSIONE MAX PRESSURE WATER (50BAR)  
ROTAZIONE LEVA - LEVER ROTATION (100°)  
PORTATA - FLOWRATE (30 l/min - 3 BAR)  
DISPOSITIVO LIMITAZIONE TEMPERATURA  
HOT WATER LIMITER





**KERANICAL** SRL



ISO 9001  
BUREAU VERITAS  
Certification



US  
LLC - Low Lead  
Content  
(NSF-ANSI61)



Water Regulations Advisory Service



Technologiezentrum  
Wasser  
on ref. at  
DVGW

**Ø35**

ART.  
**KR36A**  
CARTUCCIA Ø35  
CARTRIDGE Ø35

Coppia di serraggio  
tightening torque 8/12 Nm

