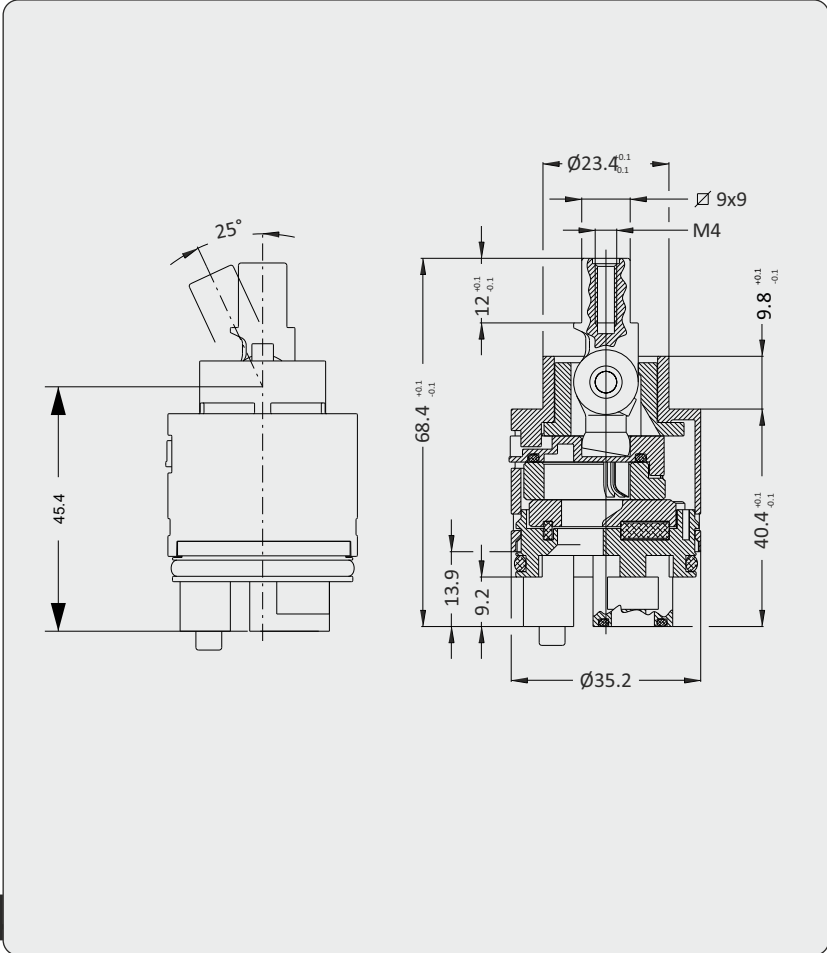




Ø35

ART.
KR35AS
CARTUCCIA Ø35
CARTRIDGE Ø35

- MATERIALE DISCHI - DISC MATERIAL (Al_2O_3)
- TEST DURATA - LONG TERM TESTS
- UNI EN 817 (70.000 CICLI - LIFECYCLE)
- ASME (500.000 CICLI - LIFECYCLE)
- COPPIA SERRAGGIO - TORQUE (10Nm)
- PRESSIONE MAX PRESSURE AIR (10BAR)
- PRESSIONE MAX PRESSURE WATER (50BAR)
- ROTAZIONE LEVA - LEVER ROTATION (100°)
- PORTATA - FLOWRATE (30 l/min - 3 BAR)





KERAMITCAL SRL



ISO 9001
BUREAU VERITAS
Certification



C US
LLC-LowLead
Content
(NSF-ANSI61)



Water Regulations Advisory Service



Technologiezentrum
Wasser
on ref. at
DVGW

Ø35

ART.
KR35AS
CARTUCCIA Ø35
CARTRIDGE Ø35

