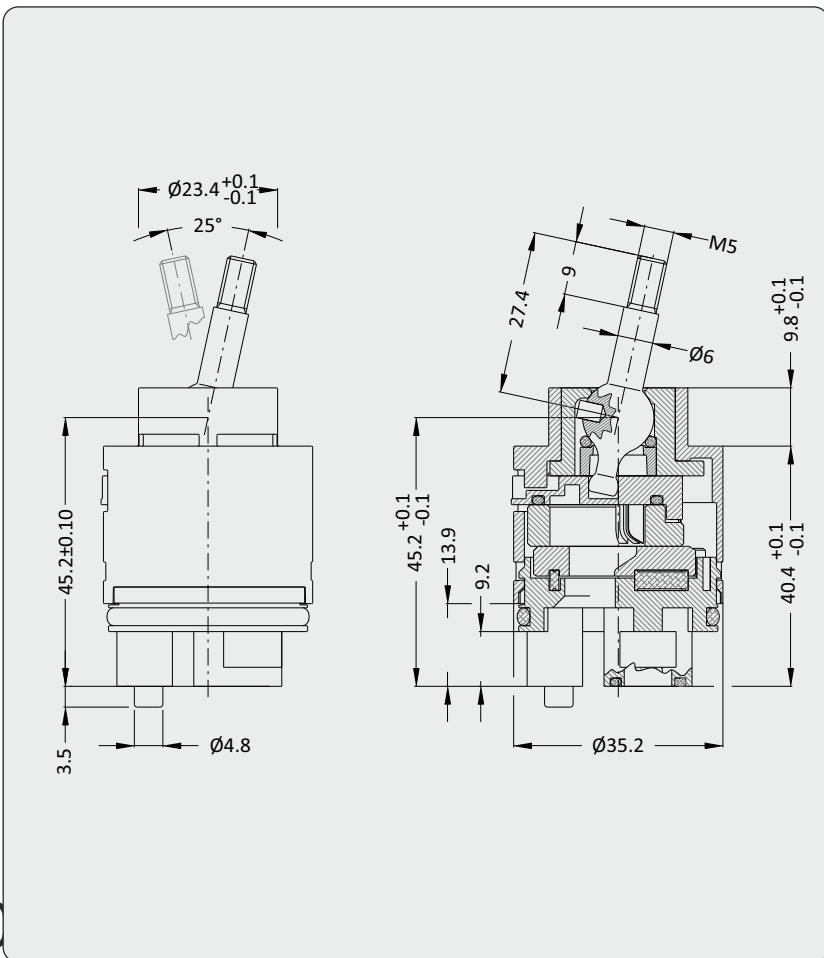




Ø35

ART.
KR35ASJ
CARTUCCIA Ø35 JOYSTICK
CARTRIDGE Ø35 JOYSTICK

- LEVA - LEVER Ø6 - M5
- MATERIALE DISCHI - DISC MATERIAL (AL₂O₃)
- TEST DURATA - LONG TERM TESTS
- UNI EN 817 (70.000 CICLI - LIFECYCLE)
- ASME (500.000 CICLI - LIFECYCLE)
- COPPIA SERRAGGIO - TORQUE (10Nm)
- PRESSIONE MAX PRESSURE AIR (10BAR)
- PRESSIONE MAX PRESSURE WATER (50BAR)
- ROTAZIONE LEVA - LEVER ROTATION (100°)
- PORTATA - FLOWRATE (30 l/min - 3 BAR)





KERANICAL SRL



ISO 9001
BUREAU VERITAS
Certification



US
LLC - Low Lead
Content
(NSF-ANSI61)



Water Regulations Advisory Service



Technologiezentrum
Wasser
on ref. at
DVGW

Ø35

ART.
KR35ASJ
CARTUCCIA Ø35
CARTRIDGE Ø35

