



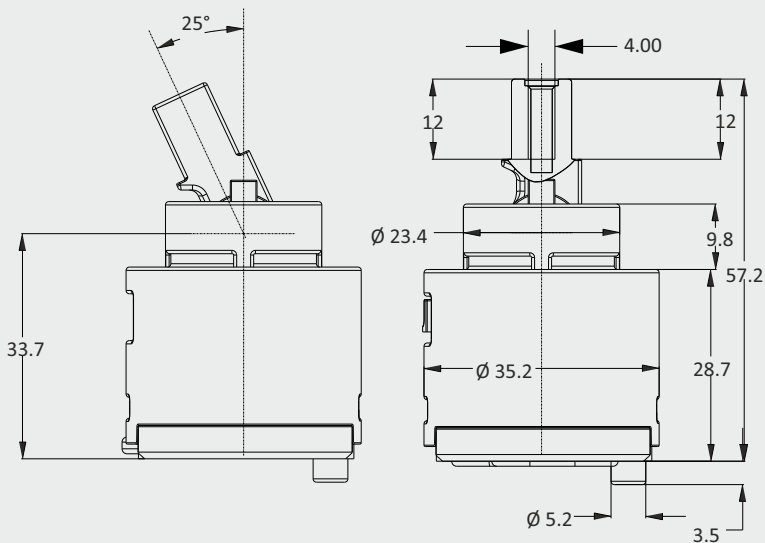
Ø35

ART.

KR36BS

CARTUCCIA Ø35
CARTRIDGE Ø35

MATERIALE DISCHI - DISC MATERIAL (Al_2O_3)
TEST DURATA - LONG TERM TESTS
UNI EN 817 (70.000 CICLI - LIFECYCLE)
ASME (500.000 CICLI - LIFECYCLE)
COPPIA SERRAGGIO - TORQUE (10Nm)
PRESSIONE MAX PRESSURE AIR (10BAR)
PRESSIONE MAX PRESSURE WATER (50BAR)
ROTAZIONE LEVA - LEVER ROTATION (100°)
PORTATA - FLOWRATE (30 l/min - 3 BAR)





KERANICAL SRL



ISO 9001
BUREAU VERITAS
Certification



US
LLC-LowLead
Content
(NSF-ANSI61)



Water Regulations Advisory Service

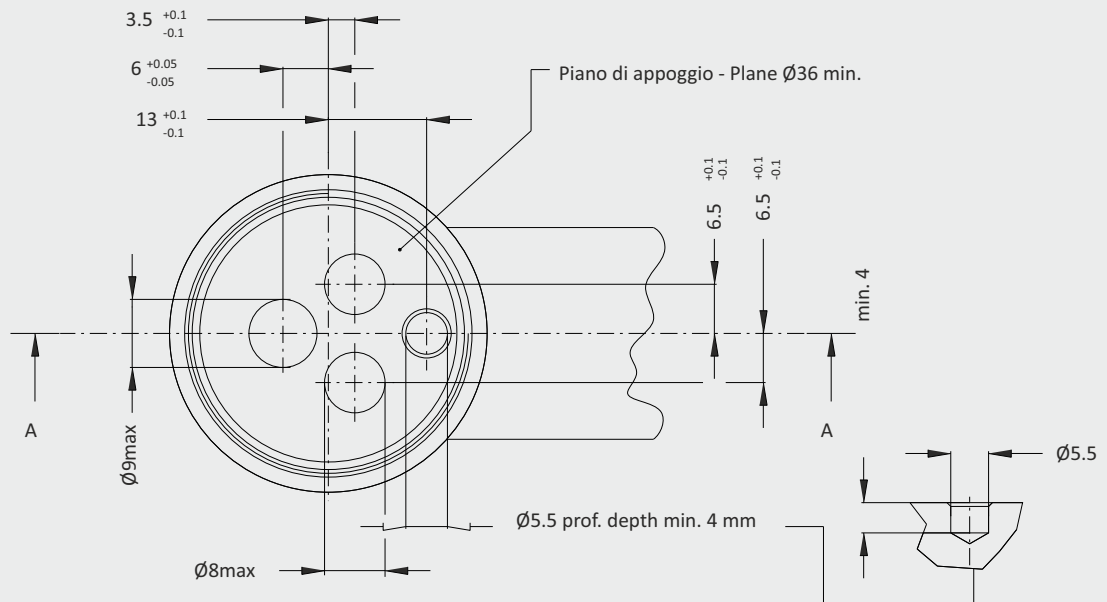
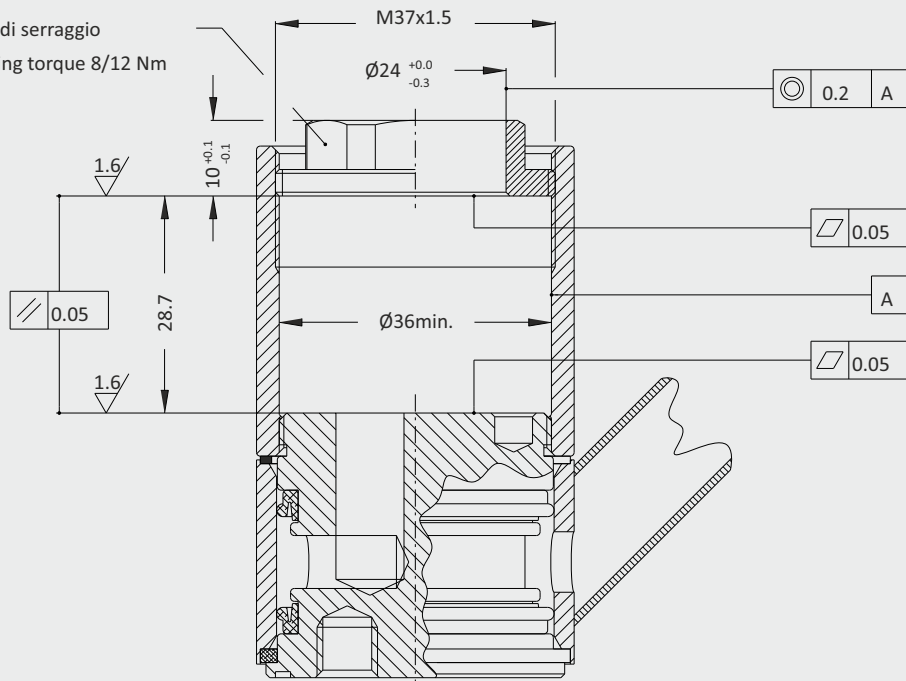


Technologiezentrum
Wasser
on ref. at
DVGW

Ø35

ART.
KR36BS
CARTUCCIA Ø35
CARTRIDGE Ø35

Coppia di serraggio
tightening torque 8/12 Nm



SCHEDA LAVORAZIONI-TECHNICAL DATA