



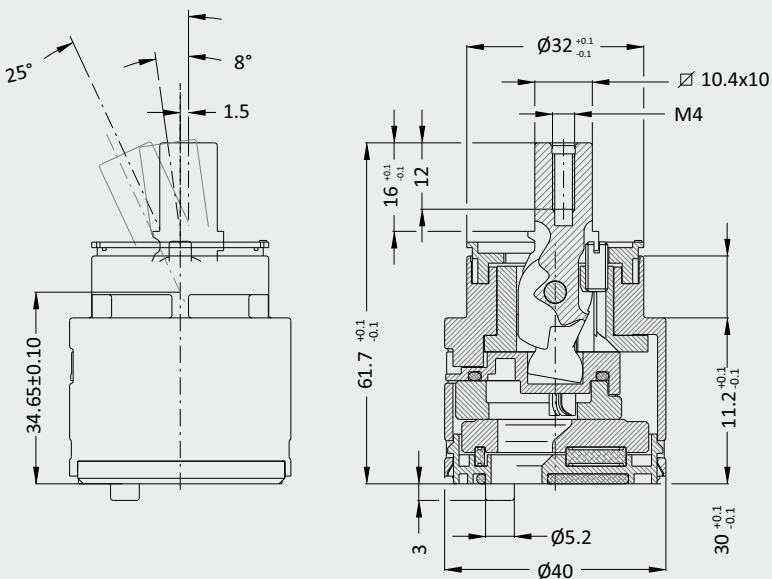
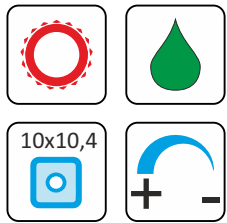
Ø40

ART.

KR40BKK

CARTUCCIA Ø40 ECOBLOCK STEP CARTRIDGE Ø40 ECOBLOCK STEP

MATERIALE DISCHI - DISC MATERIAL (Al_2O_3)
 TEST DURATA - LONG TERM TESTS
 UNI EN 817 (70.000 CICLI - LIFECYCLE)
 ASME (500.000 CICLI - LIFECYCLE)
 COPPIA SERRAGGIO - TORQUE (10Nm)
 PRESSIONE MAX PRESSURE AIR (10BAR)
 PRESSIONE MAX PRESSURE WATER (50BAR)
 ROTAZIONE LEVA - LEVER ROTATION (110°)
 PORTATA - FLOW RATE (36 l/min - 3 BAR)
 DISPOSITIVO LIMITAZIONE TEMPERATURA
 HOT WATER LIMITER
 DISPOSITIVO RISPARMIO ACQUA
 WATER SAVING SYSTEM
 ECOBLOCK STEP (12/36l/min)





KERANICAL SRL



ISO 9001
BUREAU VERITAS
Certification



US
LLC - Low Lead
Content
(NSF-ANSI61)



Water Regulations Advisory Service



Technologiezentrum
Wasser
on ref. at
DVGW

Ø40

ART.

KR40BKK

CARTUCCIA Ø40

CARTRIDGE Ø40

