



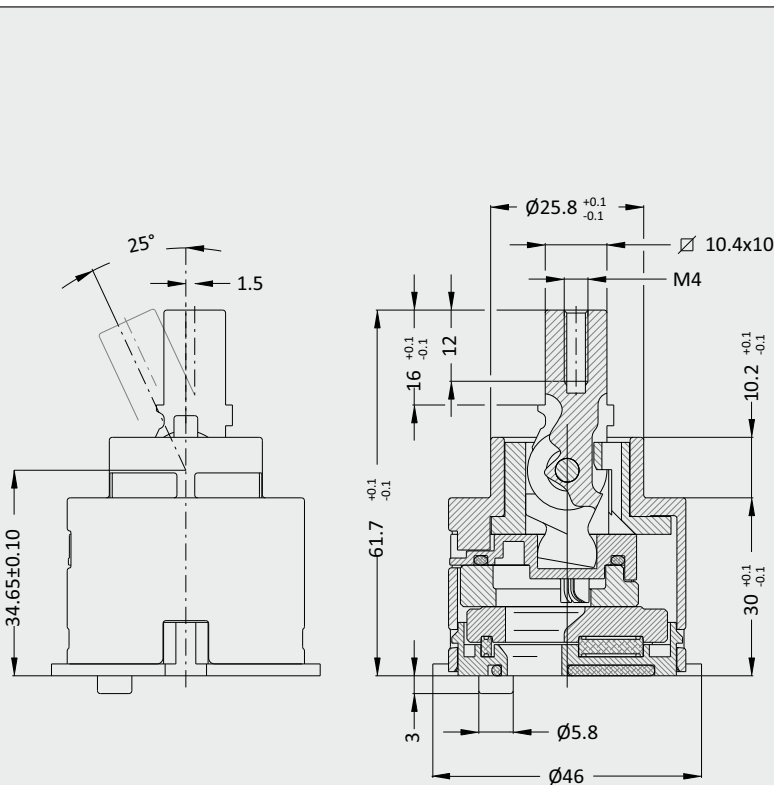
Ø40

ART.

KR45BSK

CARTUCCIA Ø45 ECOBLOCK STEP
CARTRIDGE Ø45 ECOBLOCK STEP

MATERIALE DISCHI - DISC MATERIAL (Al_2O_3)
TEST DURATA - LONG TERM TESTS
UNI EN 817 (70.000 CICLI - LIFECYCLE)
ASME (500.000 CICLI - LIFECYCLE)
COPPIA SERRAGGIO - TORQUE (10Nm)
PRESSIONE MAX PRESSURE AIR (10BAR)
PRESSIONE MAX PRESSURE WATER (50BAR)
ROTAZIONE LEVA - LEVER ROTATION (110°)
PORTATA - FLOW RATE (36 l/min - 3 BAR)
ECOBLOCK STEP (12/36l/min)





KERANICAL SRL



Ø40

ART.
KR45BSK
CARTUCCIA Ø45
CARTRIDGE Ø45

