



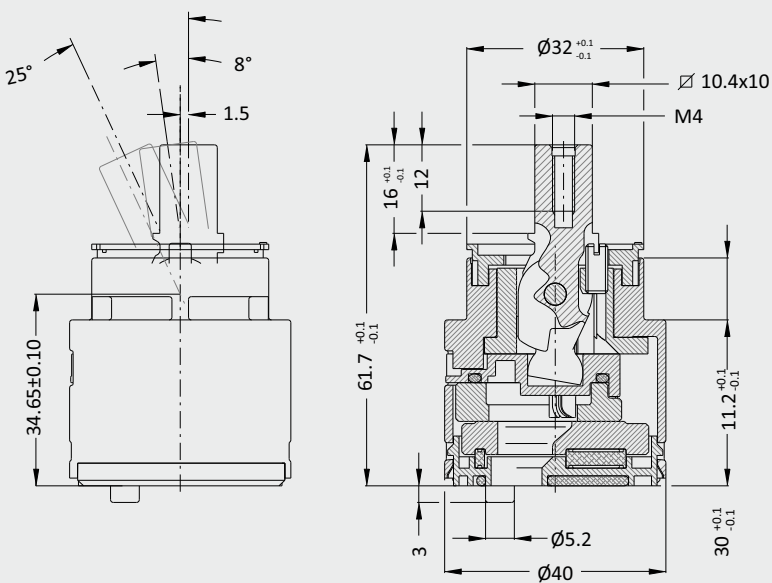
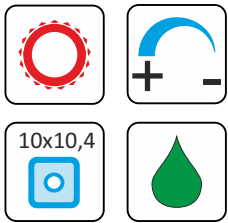
# Ø40

ART.

## KR40BK

### CARTUCCIA Ø40 ECOBLOCK STEP CARTRIDGE Ø40 ECOBLOCK STEP

MATERIALE DISCHI - DISC MATERIAL ( $Al_2O_3$ )  
 TEST DURATA - LONG TERM TESTS  
 UNI EN 817 (70.000 CICLI - LIFECYCLE)  
 ASME (500.000 CICLI - LIFECYCLE)  
 COPPIA SERRAGGIO - TORQUE (10Nm)  
 PRESSIONE MAX PRESSURE AIR (10BAR)  
 PRESSIONE MAX PRESSURE WATER (50BAR)  
 ROTAZIONE LEVA - LEVER ROTATION ( $110^\circ$ )  
 PORTATA - FLOW RATE (36 l/min - 3 BAR)  
 DISPOSITIVO LIMITAZIONE TEMPERATURA  
 HOT WATER LIMITER  
 DISPOSITIVO RISPARMIO ACQUA  
 WATER SAVING SYSTEM  
 ECOBLOCK STEP (12/36l/min)





**KERANICAL** SRL



ISO 9001  
BUREAU VERITAS  
Certification



US  
LLC - Low Lead  
Content  
(NSF-ANSI61)

**WRAS**  
Water Regulations Advisory Service



**Ø40**

ART.  
**KR40BK**  
CARTUCCIA Ø40  
CARTRIDGE Ø40

