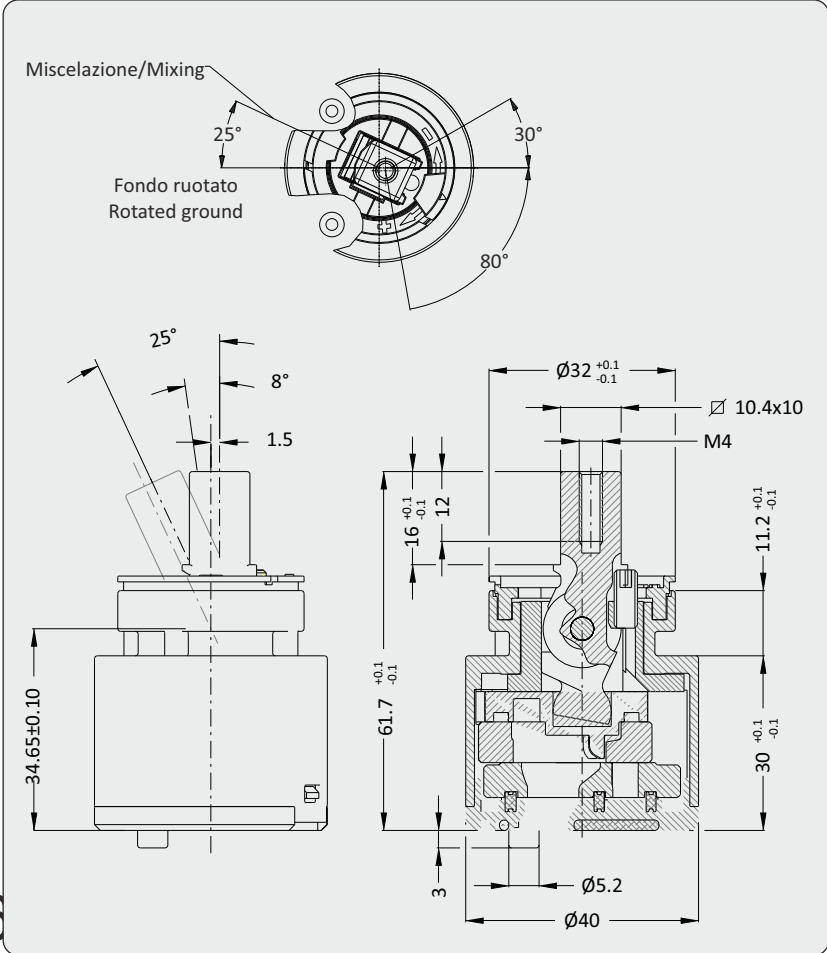




Ø40

ART. **KR40BKKR**
CARTUCCIA Ø40 ECOBLOCK STEP
CARTRIDGE Ø40 ECOBLOCK STEP

- MATERIALE DISCHI - DISC MATERIAL (Al_2O_3)
- TEST DURATA - LONG TERM TESTS
- UNI EN 817 (70.000 CICLI - LIFECYCLE)
- ASME (500.000 CICLI - LIFECYCLE)
- COPPIA SERRAGGIO - TORQUE (10Nm)
- PRESSIONE MAX PRESSURE AIR (10BAR)
- PRESSIONE MAX PRESSURE WATER (50BAR)
- ROTAZIONE LEVA - LEVER ROTATION (110°)
- PORTATA - FLOW RATE (36 l/min - 3 BAR)
- DISPOSITIVO LIMITAZIONE TEMPERATURA
- HOT WATER LIMITER
- DISPOSITIVO RISPARMIO ACQUA
- WATER SAVING SYSTEM
- ECOBLOCK STEP (12/36l/min)
- FONDO RUOTATO (SX)- ROTATED GROUND (L)





KERANICAL SRL



ISO 9001
BUREAU VERITAS
Certification



US
LLC - Low Lead
Content
(NSF-ANSI61)



Water Regulations Advisory Service



Technologiezentrum
Wasser
on ref. at
DVGW

Ø40

ART.

KR40BKCR

CARTUCCIA Ø40

CARTRIDGE Ø40

