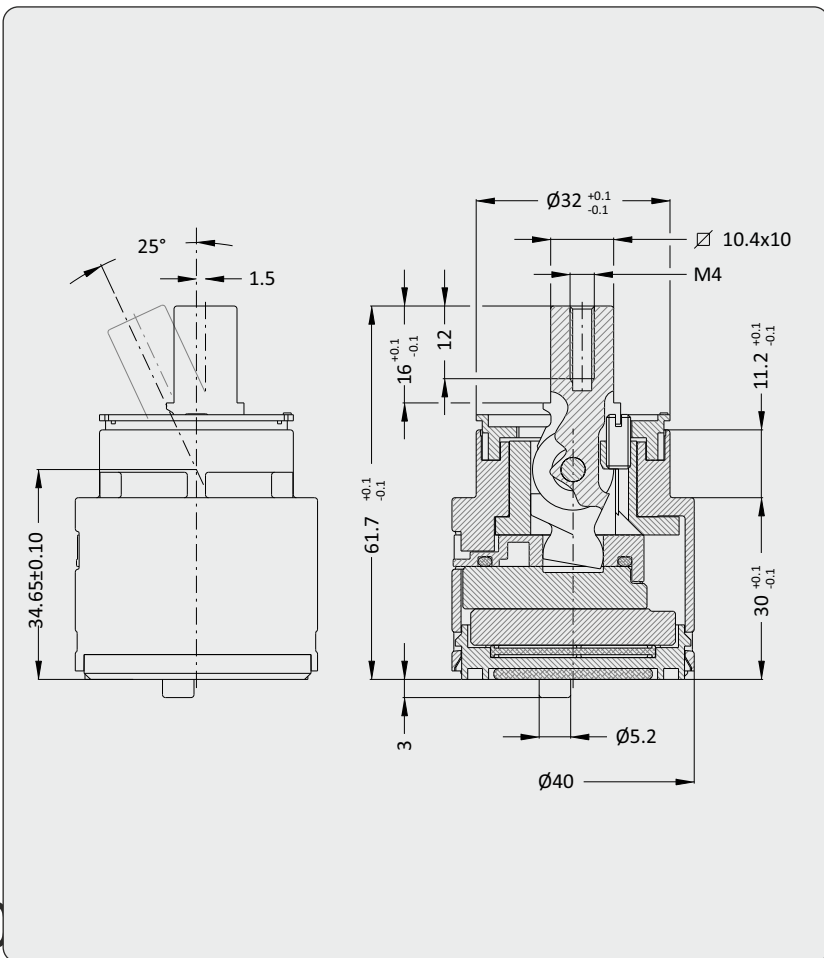




Ø40

ART.
KR40DF
CARTUCCIA Ø40
CARTRIDGE Ø40

MATERIALE DISCHI - DISC MATERIAL (Al_2O_3)
TEST DURATA - LONG TERM TESTS
UNI EN 817 (70.000 CICLI - LIFECYCLE)
ASME (500.000 CICLI - LIFECYCLE)
COPPIA SERRAGGIO - TORQUE (10Nm)
PRESSIONE MAX PRESSURE AIR (10BAR)
PRESSIONE MAX PRESSURE WATER (50BAR)
ROTAZIONE LEVA - LEVER ROTATION (110°)
PORTATA - FLOW RATE (36 l/min - 3 BAR)
DISPOSITIVO LIMITAZIONE TEMPERATURA
HOT WATER LIMITER
DISPOSITIVO RISPARMIO ACQUA
WATER SAVING SYSTEM





KERANICAL SRL



ISO 9001
BUREAU VERITAS
Certification



US
LLC - LowLead
Content
(NSF-ANSI61)



Water Regulations Advisory Service

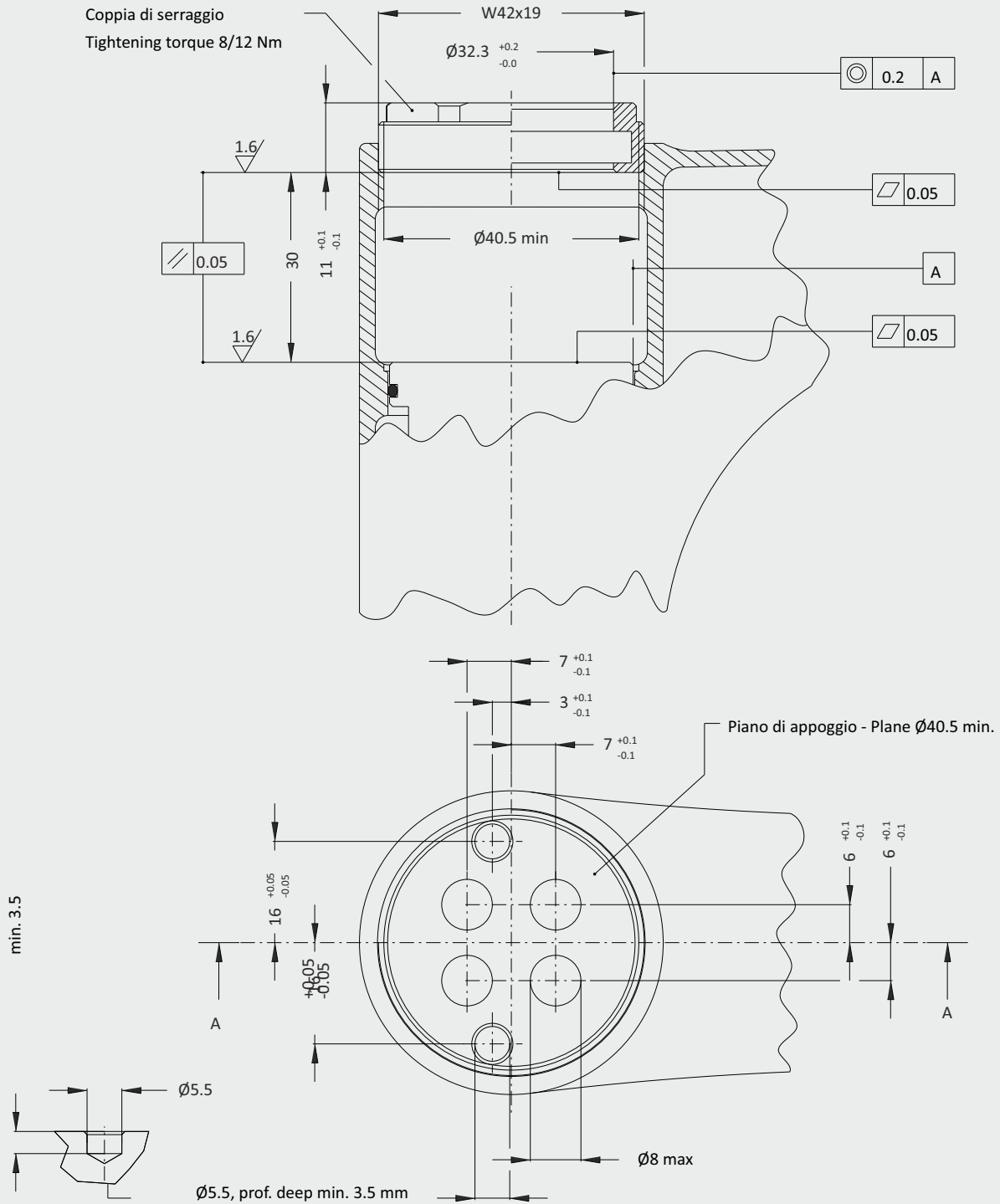


Technologiezentrum
Wasser
on ref. at
DVGW

Ø40

ART.
KR40DF
CARTUCCIA Ø40
CARTRIDGE Ø40

Coppia di serraggio
Tightening torque 8/12 Nm



SCHEDA LAVORAZIONI-TECHNICAL DATA