

Ø40

ART.

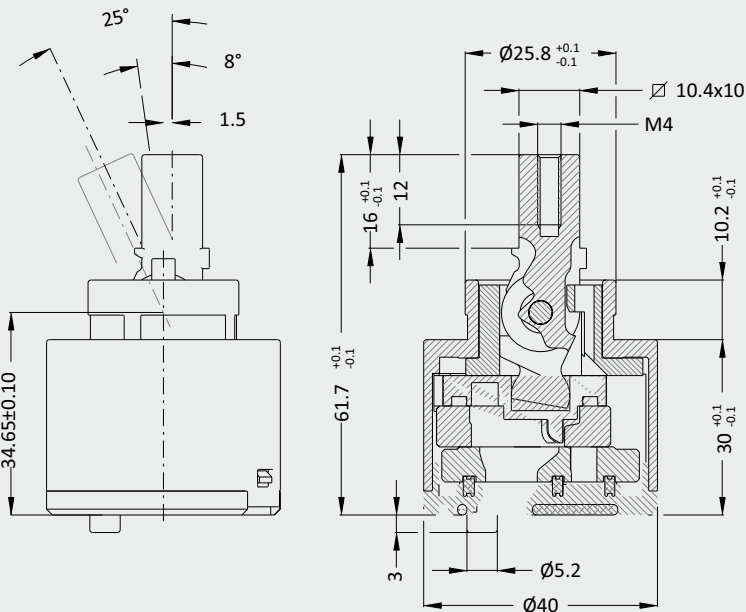
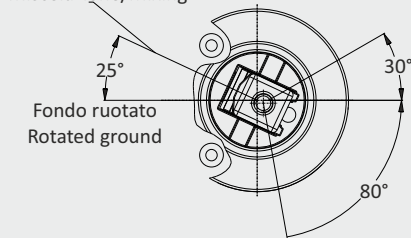
KR40BSKR

CARTUCCIA Ø40 ECOBLOCK STEP
CARTRIDGE Ø40 ECOBLOCK STEP

MATERIALE DISCHI - DISC MATERIAL (Al_2O_3)
 TEST DURATA - LONG TERM TESTS
 UNI EN 817 (70.000 CICLI - LIFECYCLE)
 ASME (500.000 CICLI - LIFECYCLE)
 COPPIA SERRAGGIO - TORQUE (10Nm)
 PRESSIONE MAX PRESSURE AIR (10BAR)
 PRESSIONE MAX PRESSURE WATER (50BAR)
 ROTAZIONE LEVA - LEVER ROTATION (110°)
 PORTATA - FLOW RATE (36 l/min - 3 BAR)
 ECOBLOCK STEP (12/36/min)
 FONDO RUOTATO (SX)- ROTATED GROUND (L)



Miscelazione/Mixing





KERANICAL SRL



Ø40

ART.
KR40BSKR
CARTUCCIA Ø45
CARTRIDGE Ø45

