



Ø40

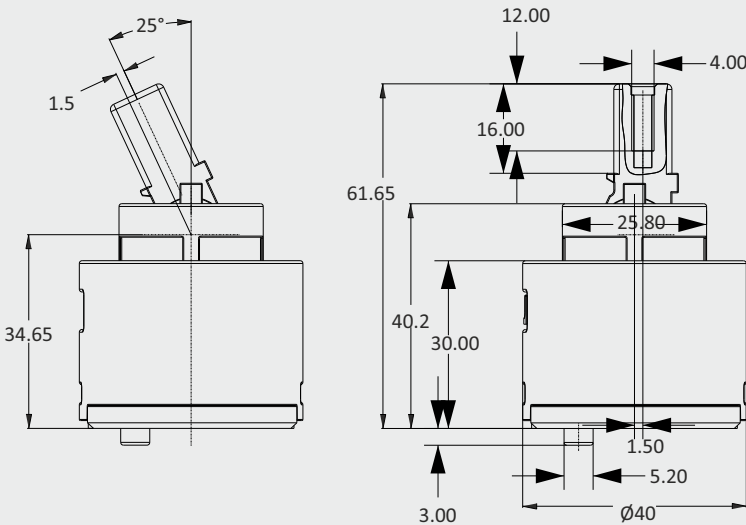
ART.

KR40BSBP

**CARTUCCIA Ø40 BASSA PRESSIONE
CARTRIDGE Ø40 LOW PRESSURE**

MATERIALE DISCHI - DISC MATERIAL (Al_2O_3)
TEST DURATA - LONG TERM TESTS
UNI EN 817 (70.000 CICLI - LIFECYCLE)
ASME (500.000 CICLI - LIFECYCLE)
COPPIA SERRAGGIO - TORQUE (10Nm)
PRESSIONE MAX PRESSURE AIR (10BAR)
PRESSIONE MAX PRESSURE WATER (50BAR)
ROTAZIONE LEVA - LEVER ROTATION (110°)
PORTATA - FLOW RATE (36 l/min - 3 BAR)
BASSA PRESSIONE - LOW PRESSURE

10x10,4





KERANICAL SRL



ISO 9001
BUREAU VERITAS
Certification



C US
LLC-LowLead
Content
(NSF-ANSI61)

WRAS
Water Regulations Advisory Service

TZW
Technologiezentrum
Wasser
on ref. at
DVGW

Ø40

ART.
KR40BSBP
CARTUCCIA Ø45
CARTRIDGE Ø45

