

Ø40

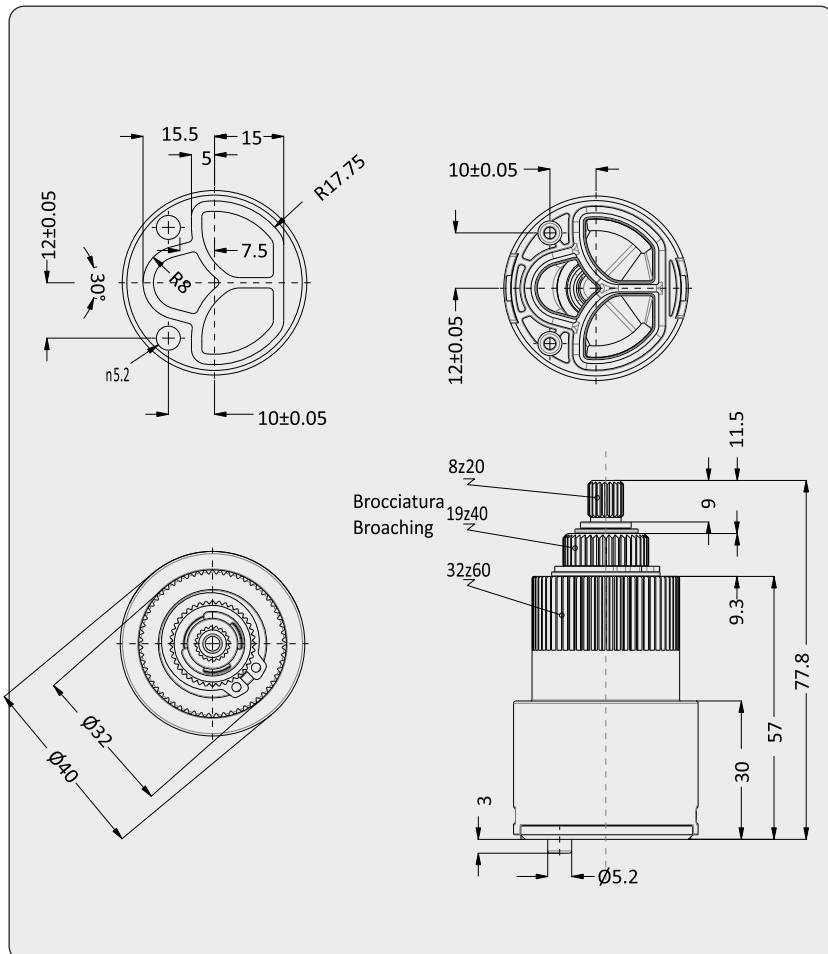
TERMOSTATICA - THERMOSTATIC

ART.

KR40TSB

CARTUCCIA TERMOSTATICA Ø40
THERMOSTATIC CARTRIDGE Ø40

MATERIALE DISCHI - DISC MATERIAL (Al_2O_3)
TEST DURATA - LONG TERM TESTS
UNI EN 817 (70.000 CICLI - LIFECYCLE)
ASME (500.000 CICLI - LIFECYCLE)
COPPIA SERRAGGIO - TORQUE (10Nm)
PRESSIONE MAX PRESSURE AIR (5BAR)
PRESSIONE MAX PRESSURE WATER (30BAR)
ROTAZIONE LEVA - LEVER ROTATION (73°)
PORTATA 38°C - FLOWRATE 38°C (31,4 l/min - 3 BAR)
SICUREZZA ANTISCOTTATURA
EQUIPPED BY ANTISCALD DEVICE





KERANICAL SRL



ISO 9001
BUREAU VERITAS
Certification



US
LLC - Low Lead
Content
(NSF-ANSI61)

WRAS
Water Regulations Advisory Service

TZW
Technologiezentrum
Wasser
on ref. at
DVGW

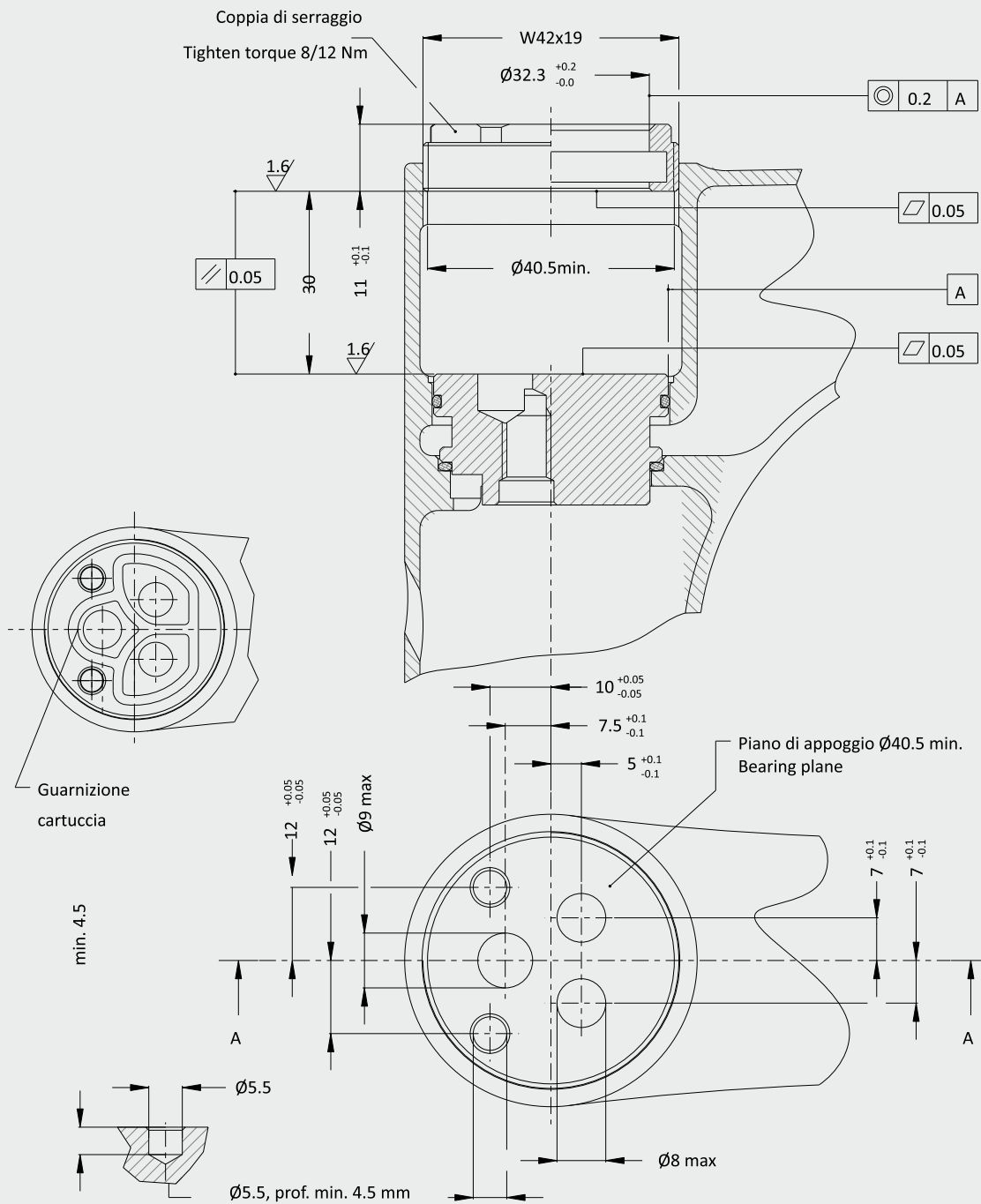
Ø40

TERMOSTATICA - THERMOSTATIC

ART.

KR40TSB

**CARTUCCIA TERMOSTATICA Ø40
THERMOSTATIC CARTRIDGE Ø40**



SCHEDA LAVORAZIONI-TECHNICAL DATA