



Ø40

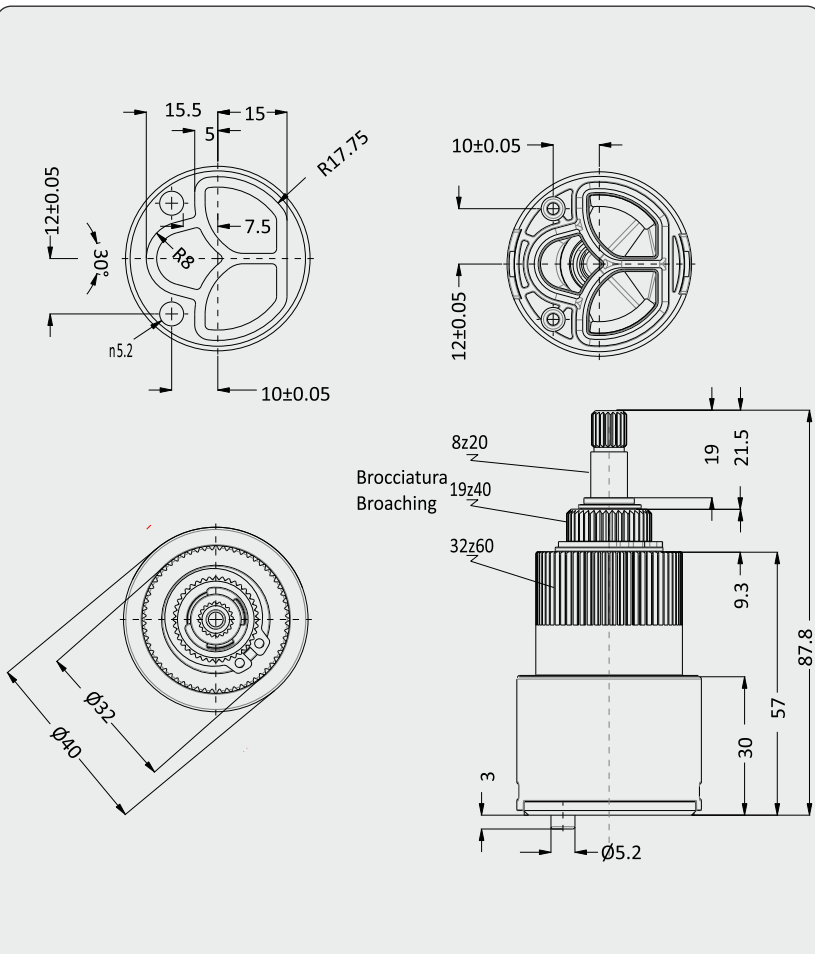
TERMOSTATICA - THERMOSTATIC

ART.

KR40TSB/1

CARTUCCIA TERMOSTATICA Ø40 THERMOSTATIC CARTRIDGE Ø40

MATERIALE DISCHI - DISC MATERIAL (Al_2O_3)
 TEST DURATA - LONG TERM TESTS
 UNI EN 817 (70.000 CICLI - LIFECYCLE)
 ASME (500.000 CICLI - LIFECYCLE)
 COPPIA SERRAGGIO - TORQUE (10Nm)
 PRESSIONE MAX PRESSURE AIR (5BAR)
 PRESSIONE MAX PRESSURE WATER (30BAR)
 ROTAZIONE LEVA - LEVER ROTATION (73°)
 PORTATA 38°C - FLOWRATE 38°C (31,4 l/min - 3 BAR)
 SICUREZZA ANTISCOTTATURA
 EQUIPPED BY ANTISCALD DEVICE





KERANICAL SRL



ISO 9001
BUREAU VERITAS
Certification



US
LLC - Low Lead
Content
(NSF-ANSI61)

WRAS
Water Regulations Advisory Service

TZW
Technologiezentrum
Wasser
on ref. at
DVGW

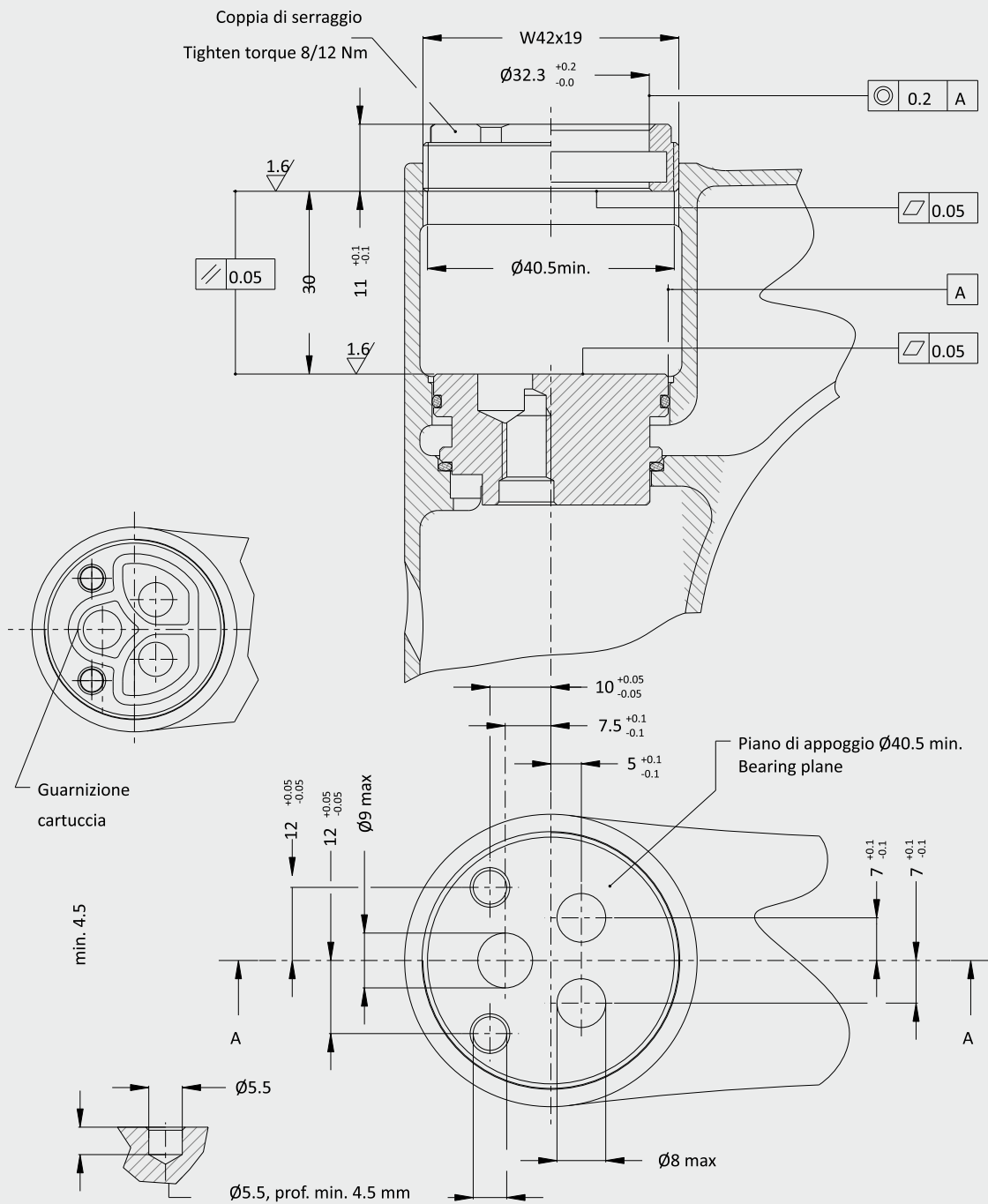
Ø40

TERMOSTATICA - THERMOSTATIC

ART.

KR40TSB/1

CARTUCCIA TERMOSTATICA Ø40
THERMOSTATIC CARTRIDGE Ø40



SCHEDA LAVORAZIONI-TECHNICAL DATA