

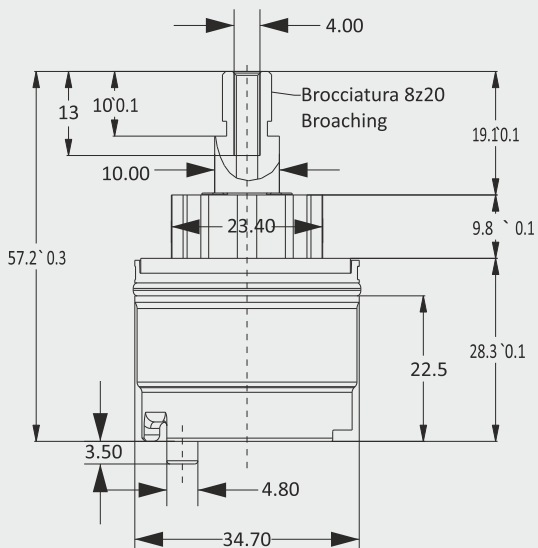
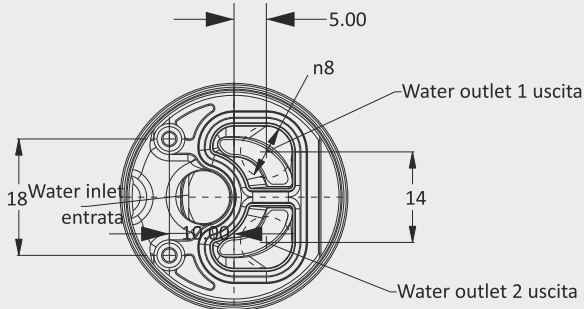
# Ø35

DEVIATRICE - DIVERTER

ART.

## KR35BSADEVK CARTUCCIA DEVIATRICE Ø35 DIVERTER CARTRIDGE Ø35

MATERIALE DISCHI - DISC MATERIAL ( $AL_2O_3$ )  
 TEST DURATA - LONG TERM TESTS  
 UNI EN 817 (70.000 CICLI - LIFECYCLE)  
 ASME (500.000 CICLI - LIFECYCLE)  
 COPPIA SERRAGGIO - TORQUE (10Nm)  
 PRESSIONE MAX PRESSURE AIR (10BAR)  
 PRESSIONE MAX PRESSURE WATER (50BAR)  
 ROTAZIONE LEVA - LEVER ROTATION (180°)  
 PORTATA - FLOWRATE (31.4l/min - 3 BAR)





**KERANICAL** SRL



ISO 9001  
BUREAU VERITAS  
Certification



US  
LLC - Low Lead  
Content  
(NSF-ANSI61)



Water Regulations Advisory Service



Technologiezentrum  
Wasser  
on ref. at  
DVGW

# Ø35

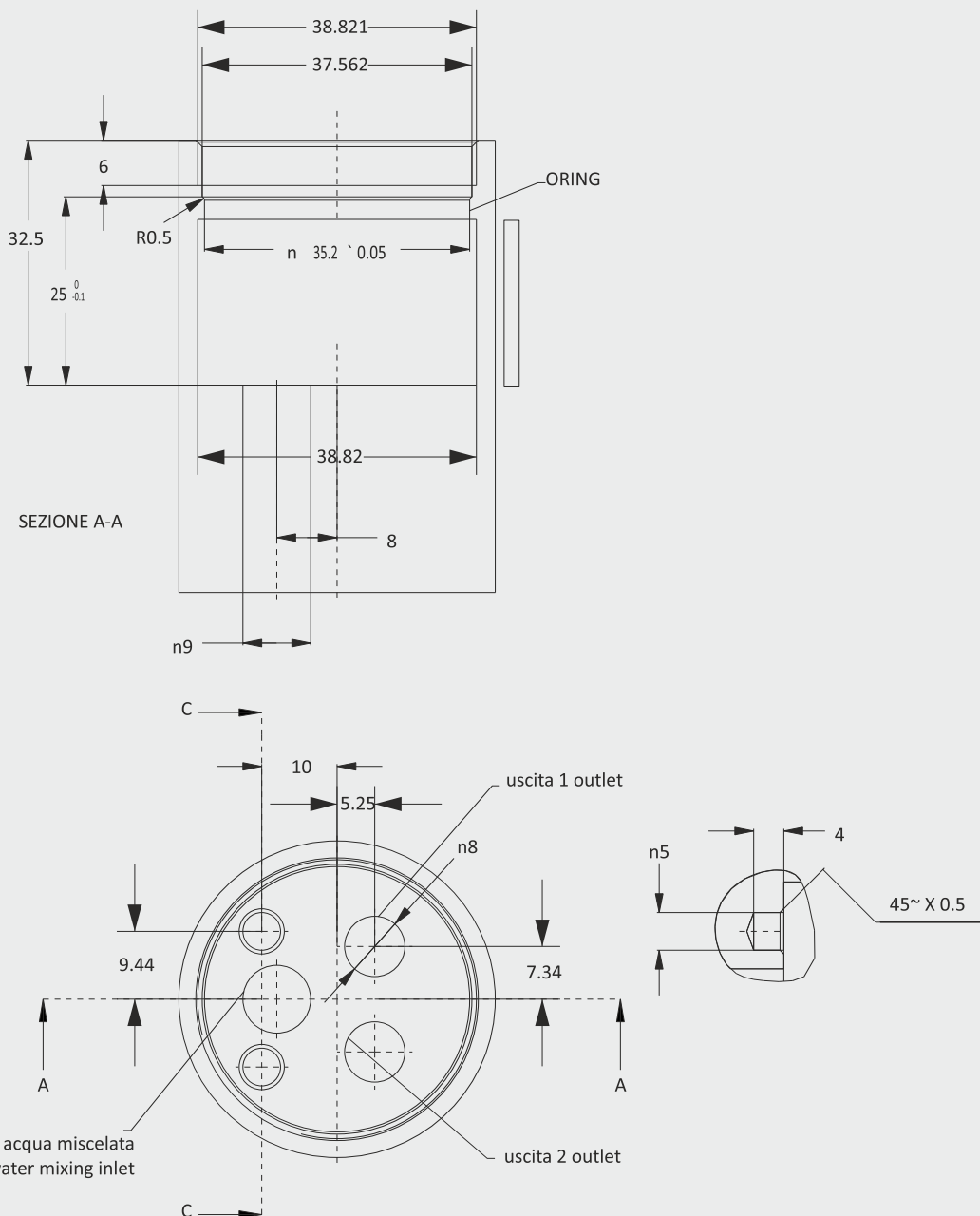
DEVIATRICE - DIVERTER

ART.

## KR35BSADEVK

CARTUCCIA DEVIATRICE Ø35

DIVERTER CARTRIDGE Ø35



SCHEDA LAVORAZIONI-TECHNICAL DATA