



9x9



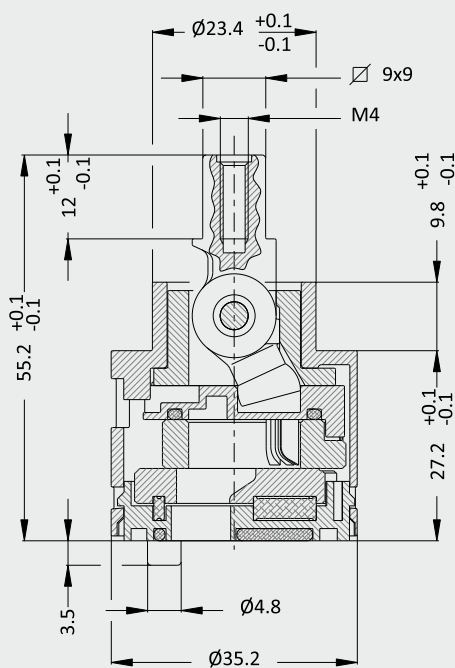
Ø35

ART.

KR35BSDV

CARTUCCIA DEVIATRICE Ø35
DIVERTER CARTRIDGE Ø35

MATERIALE DISCHI - DISC MATERIAL (Al_2O_3)
TEST DURATA - LONG TERM TESTS
UNI EN 817 (70.000 CICLI - LIFECYCLE)
ASME (500.000 CICLI - LIFECYCLE)
COPPIA SERRAGGIO - TORQUE (10Nm)
PRESSIONE MAX PRESSURE AIR (10BAR)
PRESSIONE MAX PRESSURE WATER (50BAR)
ROTAZIONE LEVA - LEVER ROTATION (180°)
PORTATA - FLOWRATE (31.4l/min - 3 BAR)





KERANITAL SRL



ISO 9001
BUREAU VERITAS
Certification



US
LLC - Low Lead
Content
(NSF-ANSI61)

WRAS
Water Regulations Advisory Service

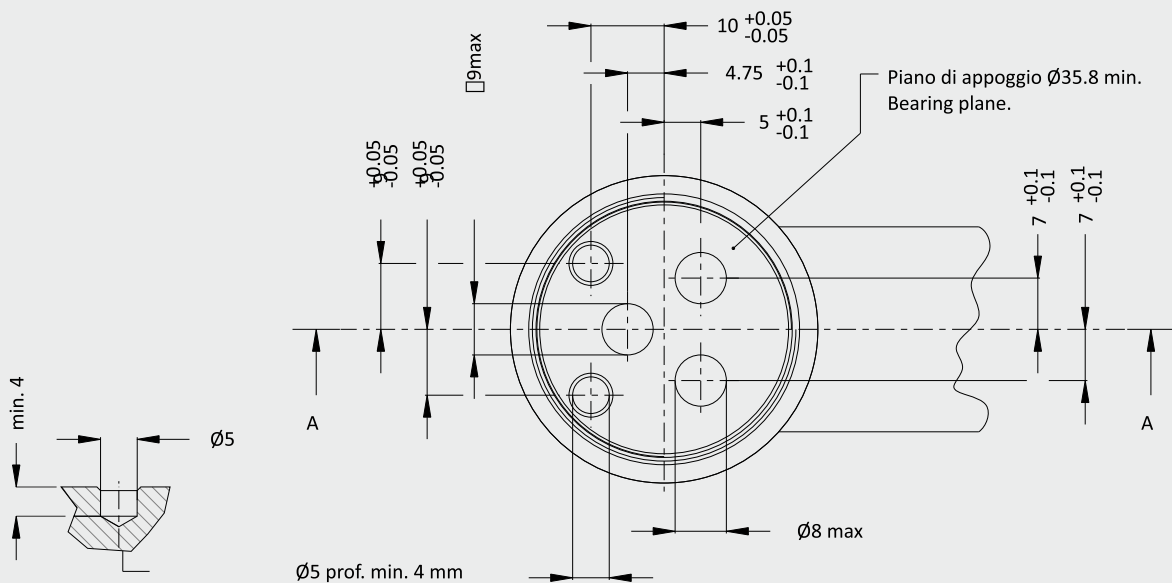
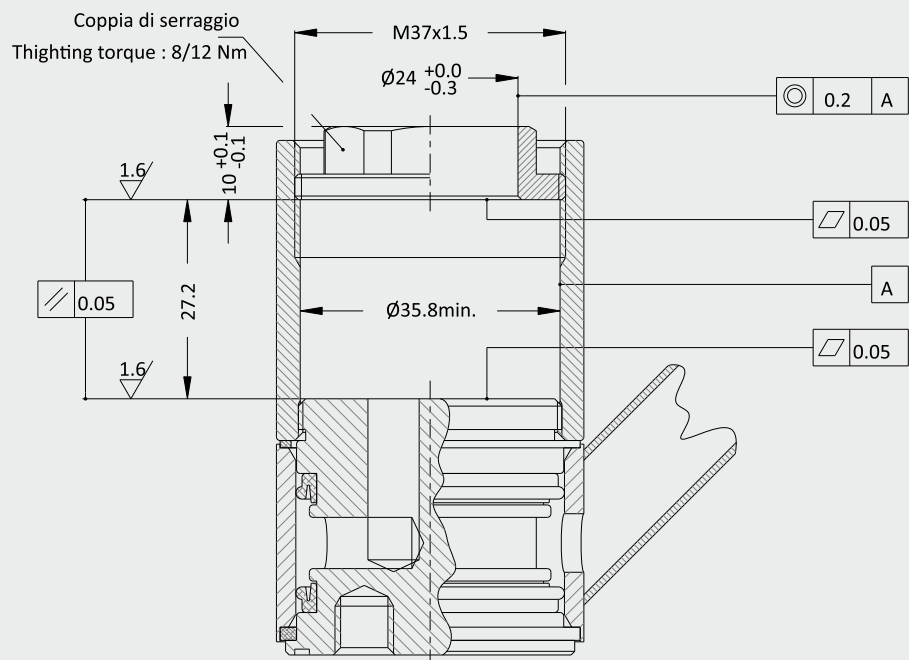
TZW
Technologiezentrum
Wasser
on ref. at
DVGW

Ø35

ART.

KR35BSDV

CARTUCCIA DEVIATRICE Ø35
DIVERTER CARTRIDGE Ø35



SCHEDA LAVORAZIONI-TECHNICAL DATA